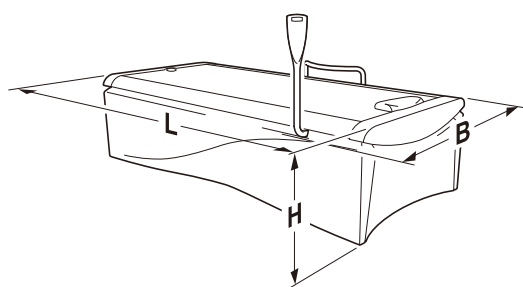
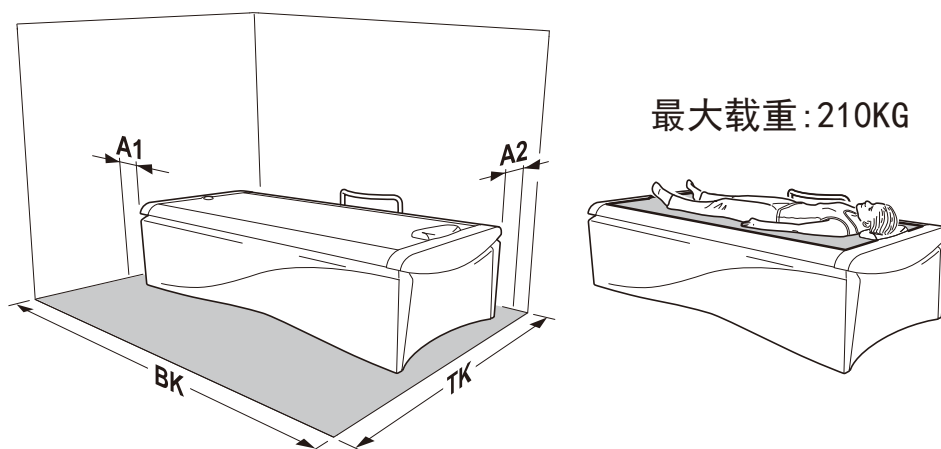


水疗按摩床安装要求



14140 / 1

A1 = 150 mm

A2 = 100 mm

BK = 2450 mm

TK = 1900 mm

L = 2150 mm

B = 1100 mm

H = 570 mm

水疗按摩床尺寸要求